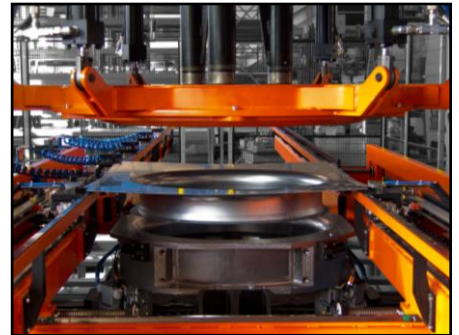
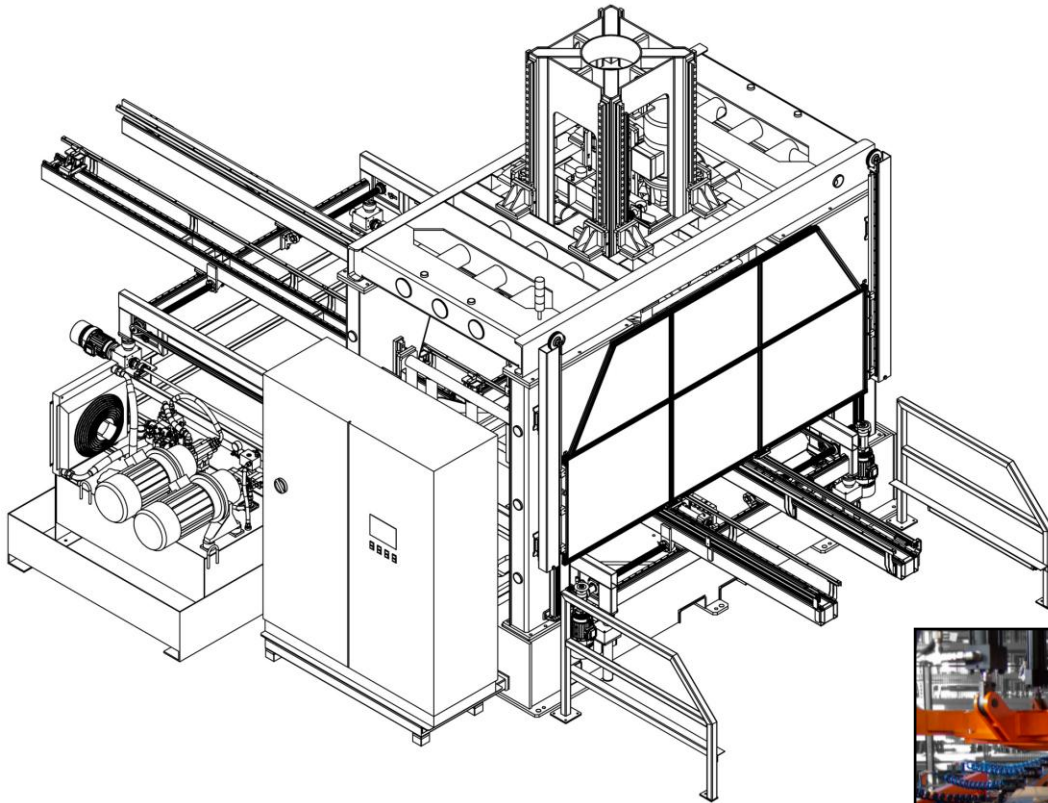


# WALLRINGS MANUFACTURING CELL



## Product characteristics

|                                |  |
|--------------------------------|--|
| Wallrings diameter:            | Ø 500 - 1050 mm  |
| Maximum circularity tolerance: | +/- 1,5 mm   |
| Wallring height:               | 140 mm for the "flared" type - 200 mm for the "flanged" type |
| Cycle time:                    | 3' for the "flanged" type                                    |

In addition to the **CNC FLANGING MACHINE** we can supply a **ROBOTIC PUNCHING CELL** to deliver the finished product, with the holes for mounting the fan grid.

